

# CT 16



**1.1997**

**Spare parts**

**Ersatzteile**

**Pièces détachées**

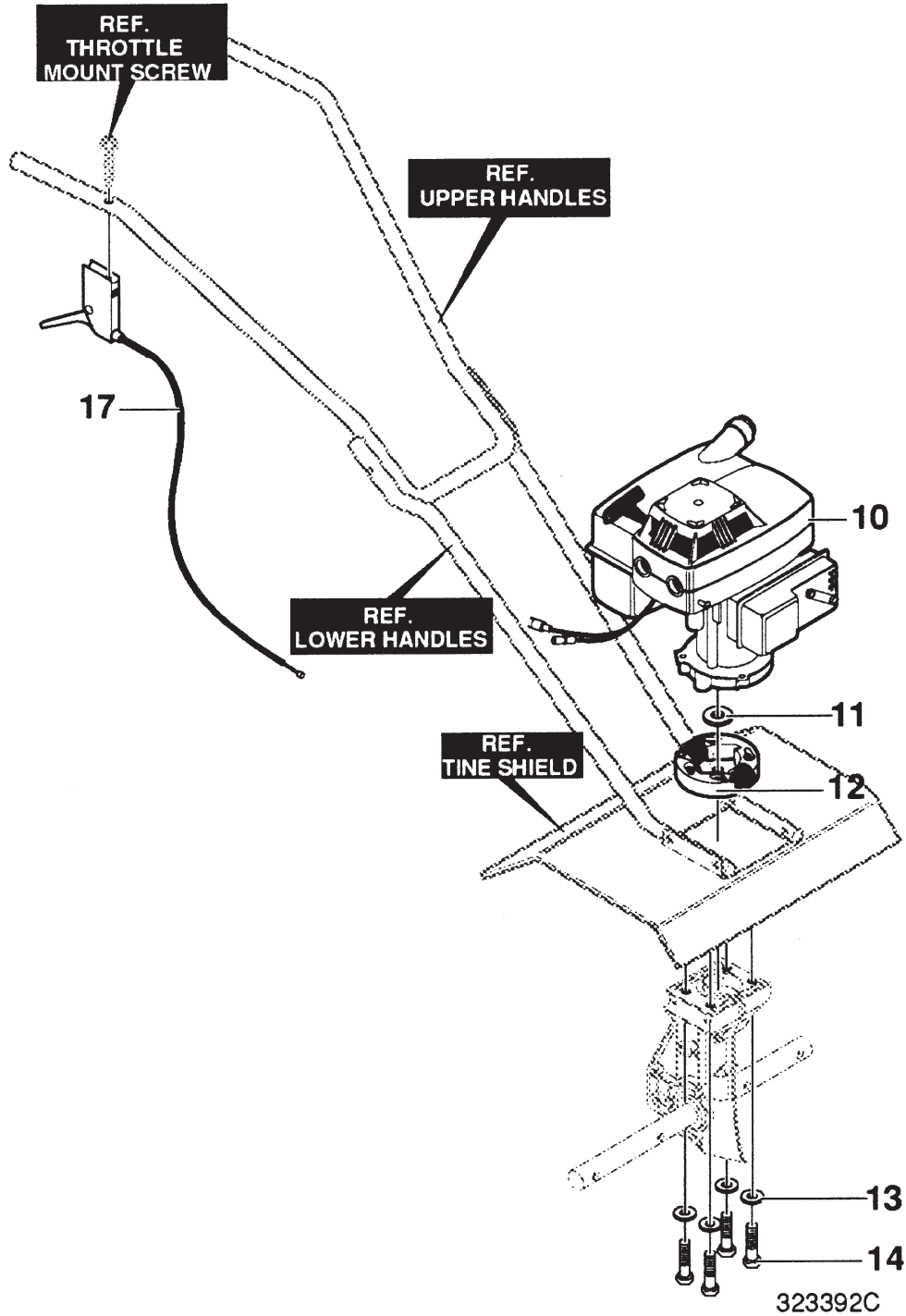
**Reserve onderdelen**

**Repuestos**

**Reservdelar**

**ENGINE REPAIR PARTS**

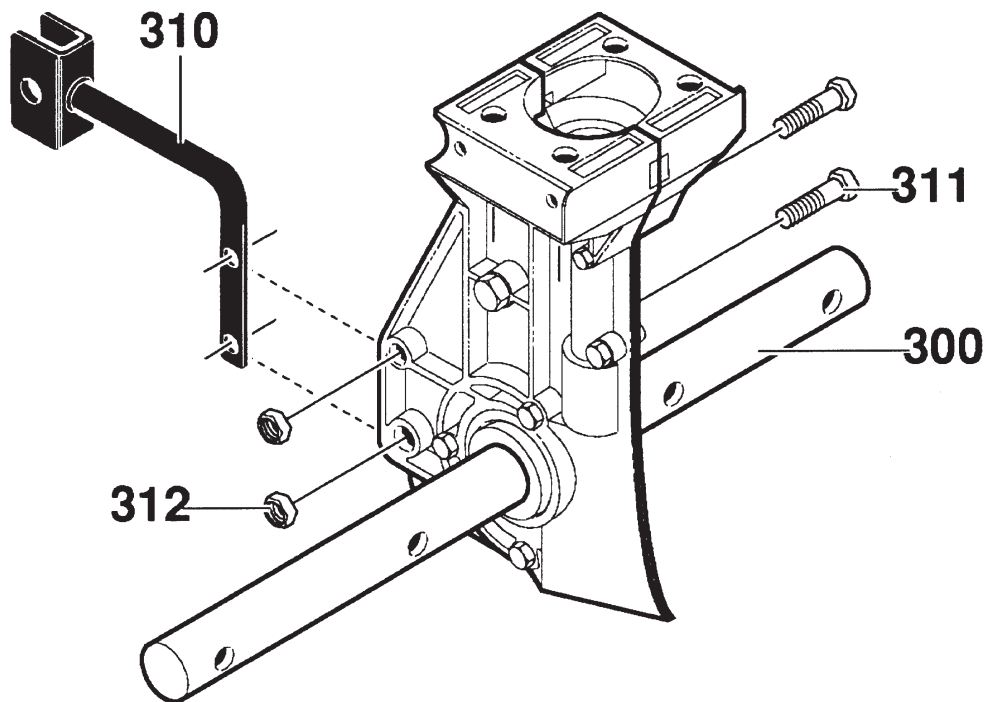
**A**



REF. NO.	PART NO.	PART NAME
10	ENGINE	1.6HP TECUMSEH
11	533 05 66-94	FLATWASHER, .378x1.25x .060
12	533 33 53-50	CLUTCH
13	810 04 04-00	LOCKWASHER, SPLIT, .263 x .49 x .07
14	874 76 04-28	SCREW, 1/4-20X1.75
17	533 33 92-97	CABLE, THROTTLE

**NOTE: ALWAYS USE ORIGINAL EQUIPMENT PARTS** Use of service/replacement parts other than original parts may void your warranty.

**ALL UNNUMBERED ITEMS ARE INTERCHANGEABLE WITH OPPOSITE SIDE**

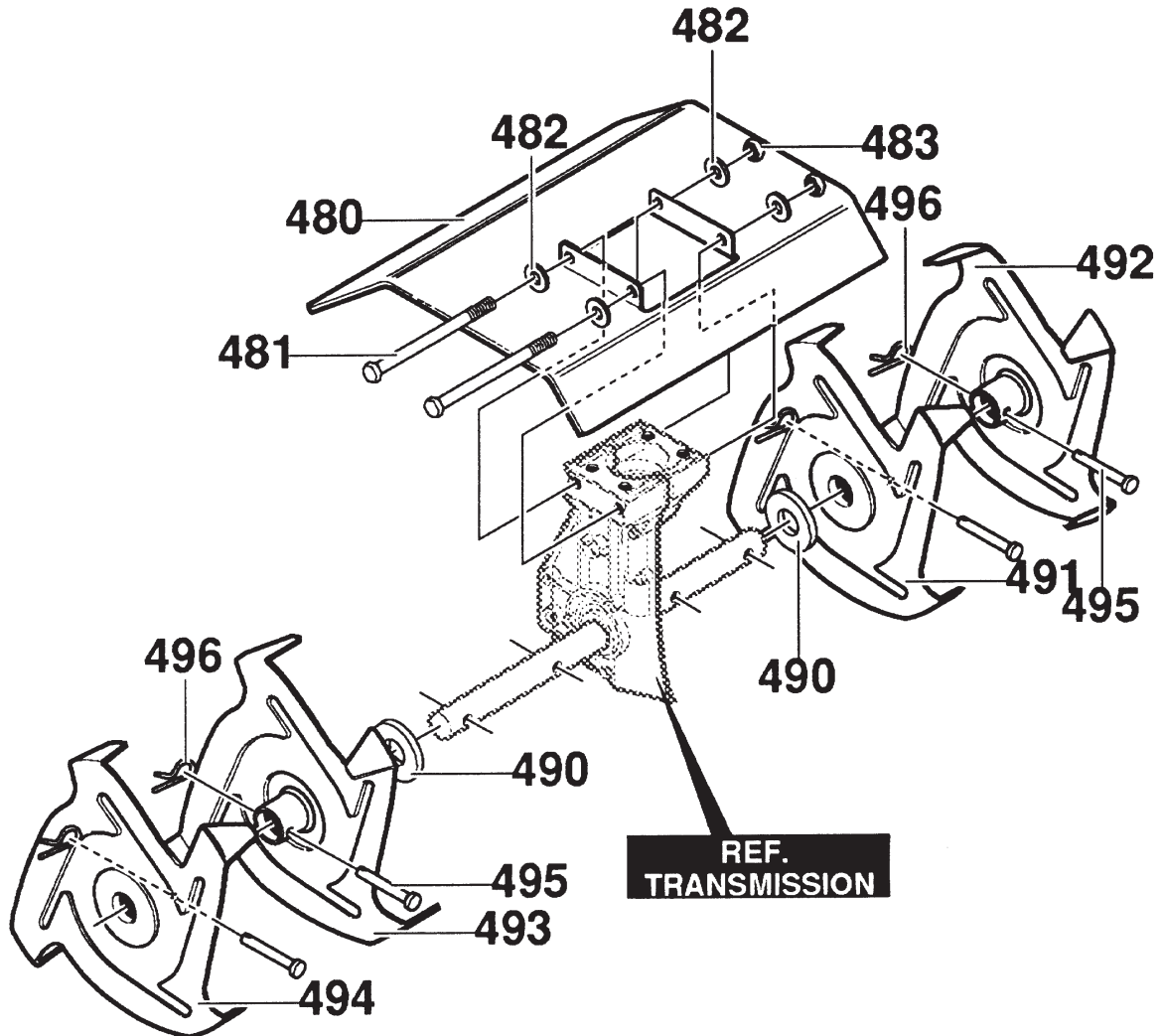


318848C

REF. NO.	PART NO.	PART NAME
300	533 74 00-60	TRANSMISSION ASSY
310	533 34 05-50	BRKT, DEPTH ROD
311	874 78 04-20	SCREW, 1/4-20X1.25
312	873 68 04-00	NUT, 1/4-20 REGHEXCTRLK

TINE SHIELD REPAIR PARTS

C

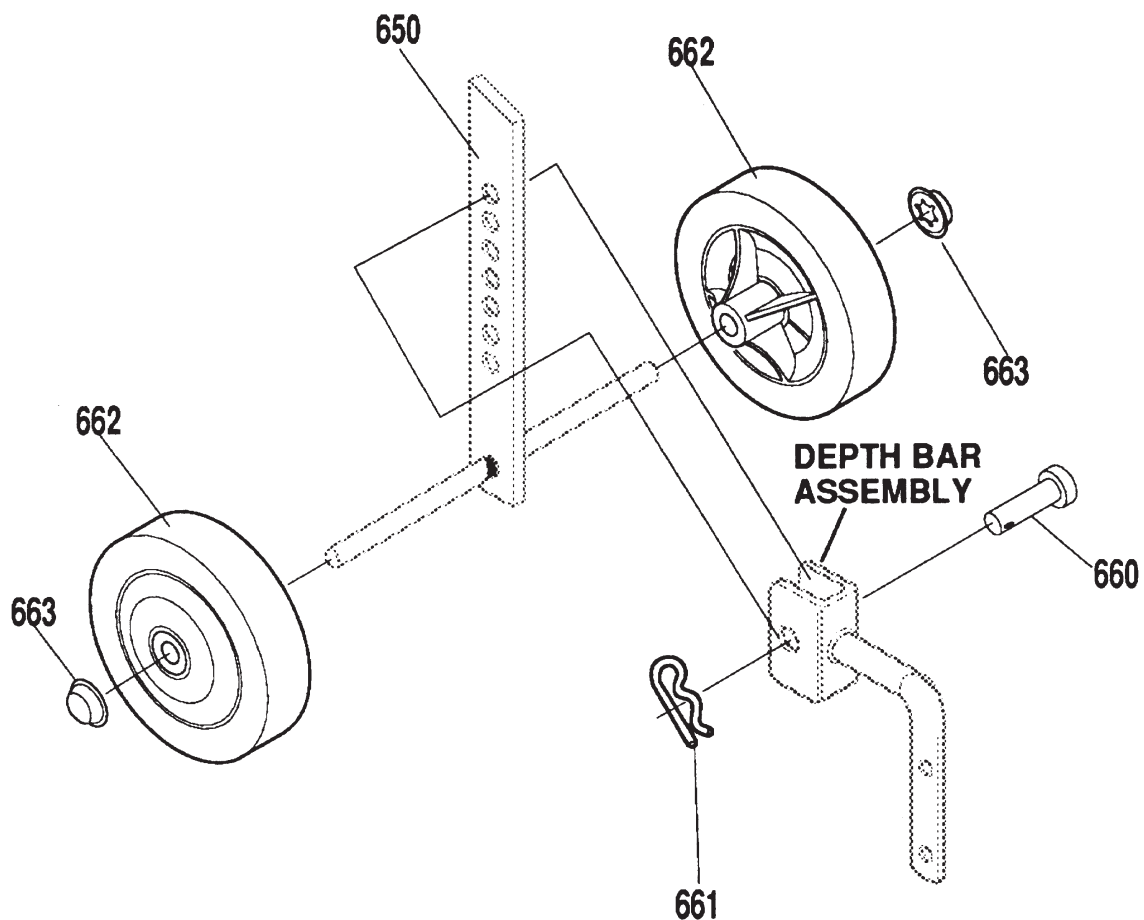


318849D

REF. NO.	PART NO.	PART NAME
480	533 30 90-73	TINE SHIELD
481	533 27 38-69	SCREW, 1/4-20X5.00
482	734 11 53-01	FLATWASHER .281X.63X.065
483	873 68 04-00	NUT, 1/4-20 REGHEXCTRLK
490	533 05 61-58	FELT WASHER
491	533 05 61-57	TINE, ASSY INNER LH
492	533 05 61-55	TINE, ASSY OUTER LH
493	533 05 61-56	TINE, ASSY INNER RH
494	533 05 61-54	TINE, ASSY OUTER RH
495	533 05 61-23	PIN, CLEVIS .31X1.38
496	533 05 61-80	HAIR PIN .091DIAX1.62LG

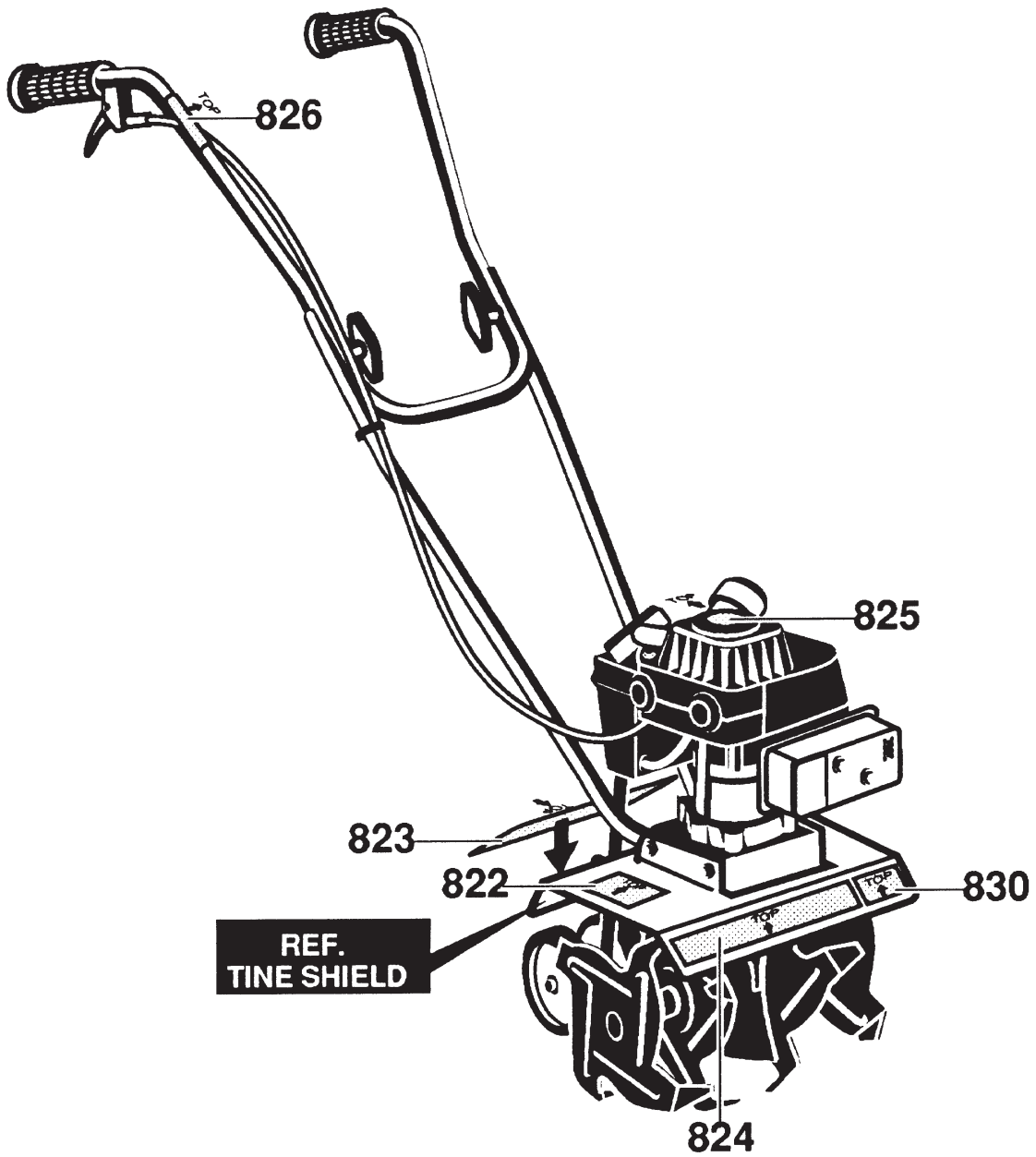
TRANS FLAT BAR REPAIR PARTS

D



338152E

REF. NO.	PART NO.	PART NAME
650	533 30 07-99	WHEEL SUPT ASSY ROD
660	533 33 36-35	PIN, CLEVIS .31X1.38
661	533 05 61-80	PIN, HAIR .091X1.62LG
662	533 33 81-03	TIRE & RIM
663	533 07 36-64	PUSH ON NUT 3/8"

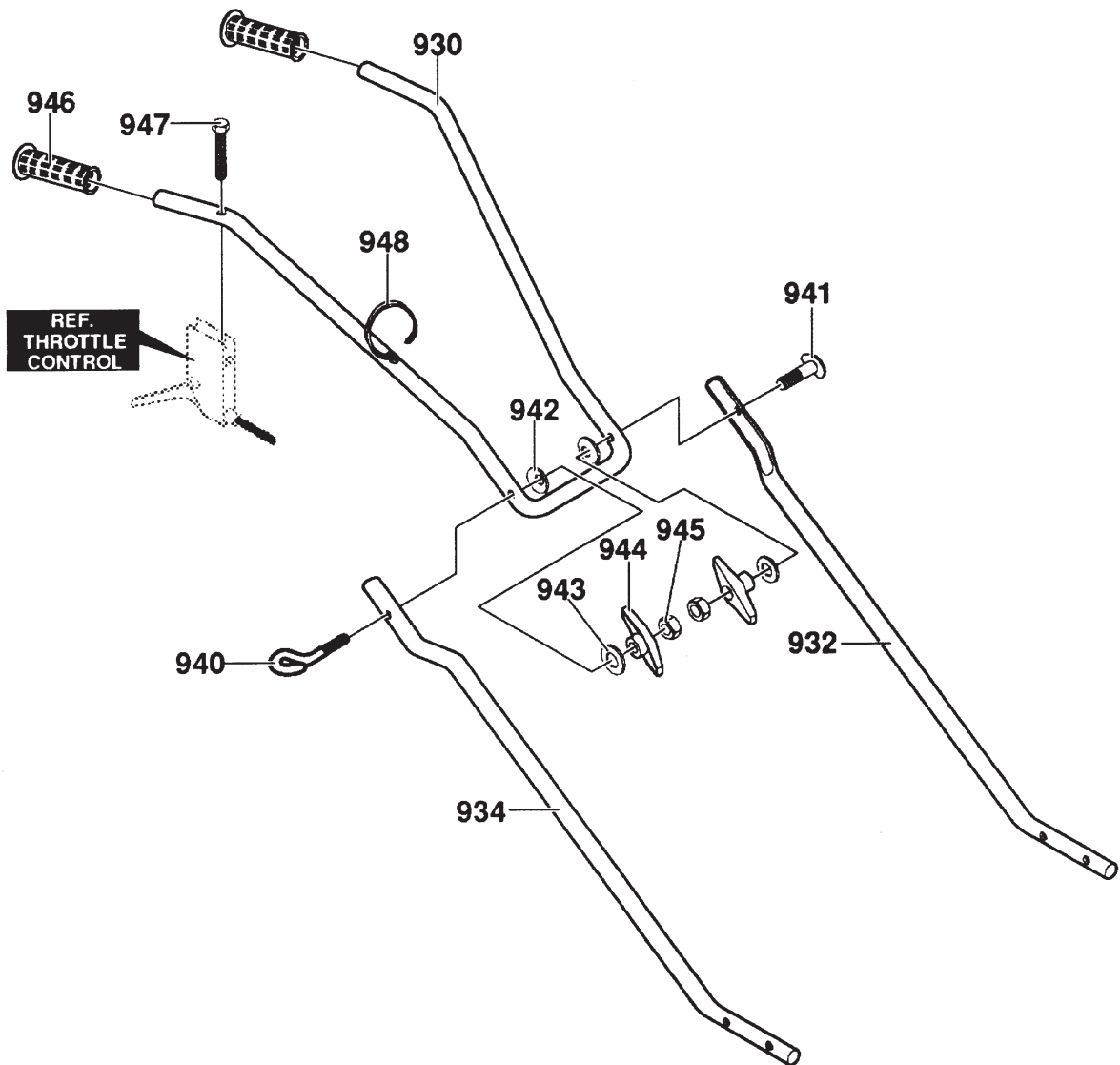


339945B

REF. NO.	PART NO.	PART NAME
822		REFERENCE ONLY
823	533 40 27-03	DECAL, CAUTION TINE SHIELD "CE"
824	533 31 66-29	DECAL, "HUSQVARNA"
826	533 57 74-34	DECAL, HOLD RH GRIP
830	533 31 66-33	DECAL, HUSQVARNA "CT 16"

HANDLES REPAIR PARTS

F

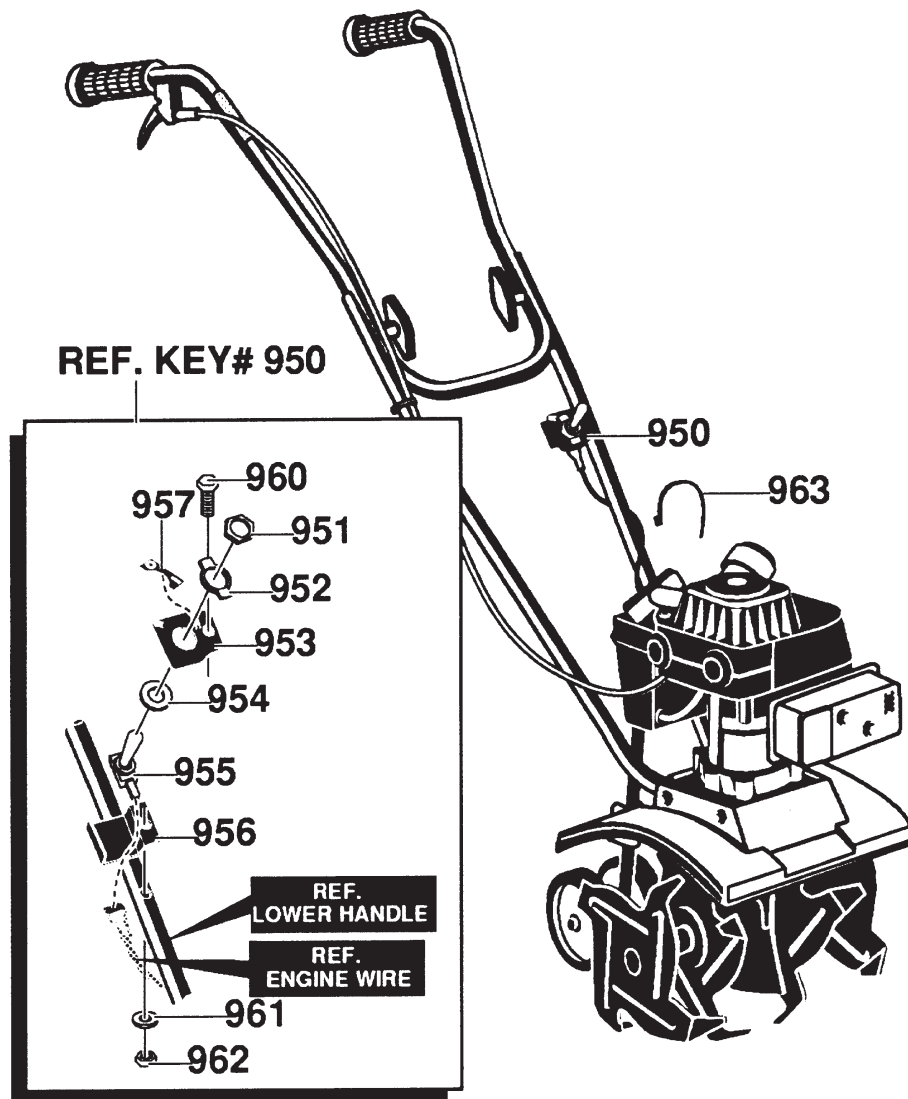


336539A

REF. NO.	PART NO.	PART NAME
930	533 33 92-98	UPPER HANDLE
932	533 33 93-98	LOWER HANDLE LH
934	533 33 93-99	LOWER HANDLE RH
940	533 05 72-57	ROPE GUIDE 5/16-18
941	533 05 61-99	CARR. BOLT, 5/16-18X1.63
942	533 78 30-00	FORMED WASHER
943	734 11 63-01	FLATWASHER .344X.69X.065
944	533 01 35-27	KNOB, T 2/BLADE W/5/16-18 NUT
945	873 22 05-00	NUT, 5/16-18 REGHEX
946	533 05 67-78	GRIP, HAND
947	533 42 66-35	SCREW 10-16X1.50 WAHHTAP
948	533 05 74-44	CABLE TIE

REMOTE STOP REPAIR PARTS

G



336539A

REF. NO.	PART NO.	PART NAME
950	533 33 31-72	SWITCH ASSY.
951	533 05 70-29	NUT MTG 15/32
952	533 05 62-48	PLATE, INDICATOR
953	533 05 62-36	BRACKET, SWTICH
954	533 04 58-78	LOCKWASHER
955	533 05 61-43	SWITCH
956	533 05 68-22	SWITCH BRACKET
957	533 33 92-93	DECAL, ISO SYMBOL (ON & OFFF)
960	533 05 70-19	SCREW 10-24X1.06 INDHWA
961	533 13 84-79	WASHER, EXLK .195X.41X.03
962	873 27 10-00	NUT, #10-24 HXHDNYLK
963	533 05 74-44	CABLE TIE



